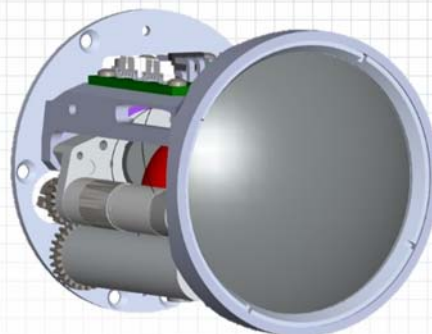


MWIR Continuous zoom – commercial off the shelf lens

JUNO

MWIR 18 - 275 mm F/5.5 Continuous zoom
High accuracy Lens with DSP controller



FEATURES / APPLICATIONS / CAPABILITIES

- X15 zoom ratio for F/5.5 cooled detectors
- **Weights ONLY 220g.** Ultra-compact configuration
- Optimized for high accuracy payloads for various applications
- Focus is maintained through the entire zoom range

| PARAMETER | | VALUE | NOTES |
|-----------|-----|-------|-------|
| Main | Sub | | |

OPTICAL

| | | |
|-----------------------------------|---|--|
| Focal Length / F# | 18 - 275 mm F/5.5 | Nominal values. F# constant over zoom range |
| Detector (FPA) type / size | For 9.6 mm x 7.68 mm F/5.5 cooled detectors with 19 – 22 mm cold shield | |
| Working Spectral Range | 3 – 5 μ | |
| FOV (degrees) | Wide FOV: 30.6°(H) x 24.5° (V) Narrow FOV: 2.05° (H) x 1.6°(V) | For detector size of 9.6 x 7.68 mm FOV within \pm 5% accuracy |
| Optical Coatings | | |
| | All internal surfaces | High efficiency AR coating Average transmission: 90% |
| | Front surface | High Durability AR (HDAR) DLC is optional upon request |
| Optical Total lens track | 66.5 mm | Nominal |
| Optical Back Focal Length | 27.5 mm | Nominal |
| Boresight Retention | \leq 0.015mm radius at the focal plane | |
| Through-zoom Boresight | \leq 0.05mm radius at the focal plane | |

MECHANICAL

| | | |
|-------------------------------------|---|-------------------------------------|
| Mechanical Back Focal Length | Nominal 24.3 mm | Nominal |
| Focus / Zoom mechanism | Motorized | 5m - Infinity |
| Total Weight | 220 grams | Nominal, including electronic board |
| External Dimensions | Max Diameter: 63.5mm; Length: 70mm (Please refer to MICD for details) | |

ELECTRICAL

| | | |
|-------------------------------|------------------------|---------------------------|
| Power Input | 12VDC, 1.0 A | Nominal |
| Communication Protocol | RS-422/232 Full Duplex | Baud rate 19,200, n, 8, 1 |

ENVIRONMENTAL

| | | |
|--------------------------------------|---------------------------------|--|
| Operating/Storage Temperature | -30°C to +55°C / -40°C to +70°C | |
| Shock and Vibrations | Per applicable standard | |
| Front lens sealing | IP67 | |

