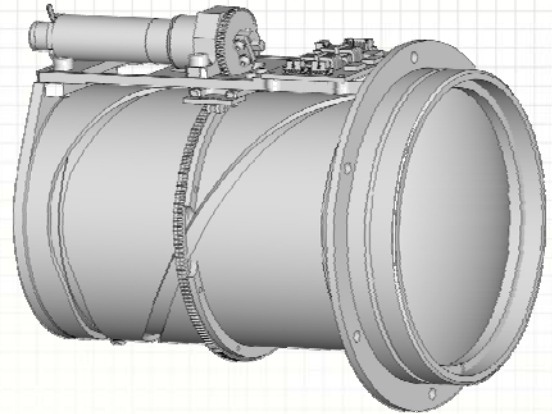


LWIR Dual/FOV – commercial off the shelf lens

# CATTY XGA

LWIR 45/135 mm Dual FOV

Lens with DSP controller for 17/ 14 / 12μ detectors



## FEATURES / APPLICATIONS / CAPABILITIES

- XGA lens for medium range surveillance systems at various applications
- Optimized for relatively short total track and low weight
- Supports detector types: 1024 x 768 x 17μ or smaller

PARAMETER		VALUE	NOTES
Main	Sub		
<b>OPTICAL</b>			
<b>Focal Length / F#</b>		45/135 mm / F1.3-1.4	Nominal values.
<b>Detector (FPA) type/size</b>		1024 x 768 pixels x 17μ	Max FPA effective area is: 17.4mm x 13mm (21.7mm diagonal)
<b>FOV (degrees)</b>		Wide: 22.9°(H) x 16.9 °(V) Narrow: 7.35 °(H) x 5.5 °(V)	For detector size of 1024 x 768 pixels x 17μ
<b>Optical Coatings</b>			
	<b>All internal surfaces</b>	High efficiency AR coating	Average transmission: 92%
	<b>Front surface</b>	Hi durability AR coating	DLC is available upon request
<b>Optical Total lens track</b>		162 mm	Front element vertex to FPA, Nominal Value
<b>MECHANICAL</b>			
<b>Mechanical Back Focal Length</b>		Min. 15 mm	Request MICD for details. Other distances available
<b>Zoom mechanism / Focus</b>		Motorized	With single motor
<b>Total Weight</b>		1500 grams	Nominal
<b>Structure</b>		Open frame configuration	
<b>External Dimensions</b>		φ130 x 169mm Length	
<b>ELECTRICAL</b>			
<b>Power Input</b>		12VDC, 0.5A	Nominal
<b>Communication Protocol</b>		RS-422/232 Full Duplex	Default RS422; Baud rate 19,200, n, 8, 1
<b>ENVIRONMENTAL</b>			
<b>Operating/Storage Temperature</b>		-30°C to +60°C / -40°C to +70°C	
<b>Shock and Vibrations</b>		Per applicable standard	
<b>Front lens Sealing</b>		IP67	

