

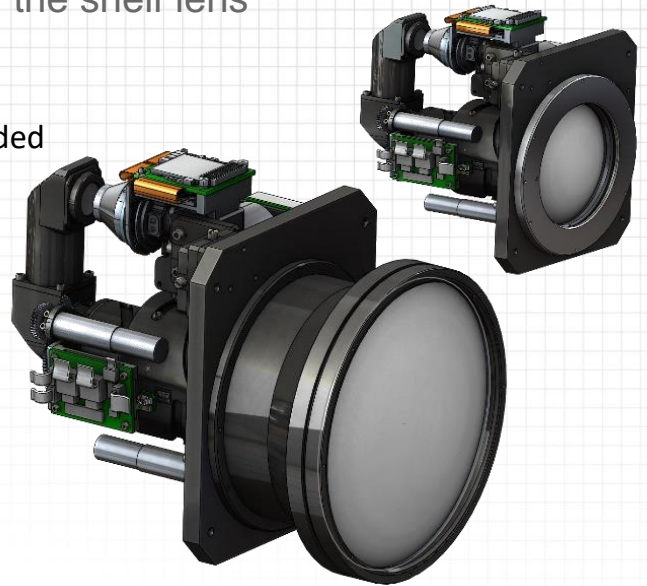
MWIR Continuous zoom – commercial off the shelf lens

GALAXY

MWIR 20 – 300mm F/3.4 Continuous zoom double folded Lens with DSP controller for 10μ HD sensors

FEATURES / APPLICATIONS / CAPABILITIES

- Highest resolution performance over entire zoom range
- 180° Folded, Compact & light weight design
- Rugged and robust built for harsh environmental conditions
- Focus is maintained throughout the entire zoom range, with extremely fast zoom and focus response
- Available in several versions to support multiple applications
- Available with different Beam Extender (x1.5, x2, x2.5)



PARAMETER		VALUE		NOTES
Main	Sub	GALAXY Lens	GALAXY + BE x1.5	

OPTICAL				
Focal Length / F#		20 – 300 mm F/3.4	30 – 450mm F/3.4	Nominal Values
Detector Size / Cold Shield Height		1280 x 1024 x 10μ detectors		Regular 19-22mm CSH
Working Spectral Range		3-5μ		
FOV (degrees)	Wide FOV	35.7° (H) x 28.8°(V)	24.0° (H) x 19.4°(V)	
	Narrow FOV	2.42°(H) x 1.96°(V)	1.63°(H) x 1.30°(V)	
Optical Coatings	Internal surfaces	High efficiency AR coating		Average transmission: 90%
	Front surface	High durability AR coating		DLC is available upon request
Optical Total lens track		170 mm Nominal	250 mm Nominal	Lens is folded
Optical Back Focal Length		32 mm Nominal		
MECHANICAL				
Mechanical Back Focal Length		~ 28mm Nominal for standard MICD.		
Zoom mechanism		Motorized		
Focus Range		10m - Infinity	15m - Infinity	
Total Weight – Lens only		TBD	TBD	
External Dimensions -Lens only		170(L)x110(W)x 150(H)	245(L)x162(W)x 186(H)	Please refer to MICD
ELECTRICAL				
Power Input		12VDC, 1.0 A	Nominal	
Communication Protocol		RS-422/232 Full Duplex	Baud rate 19,200, n, 8, 1	
ENVIRONMENTAL				
Operating/Storage Temperature		-30°C to +50°C / -40°C to +70°C		
Shock and Vibrations		Per applicable standard		
Front lens sealing		IP67 By request		